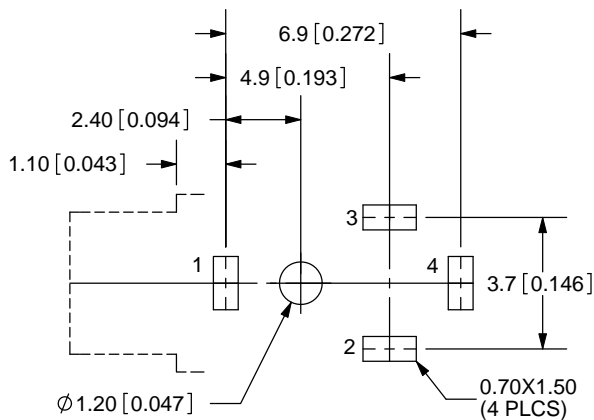
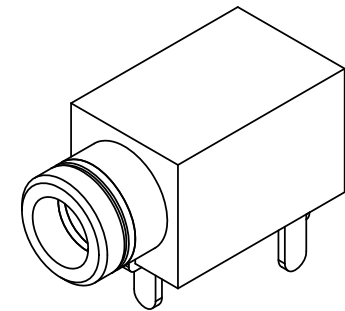
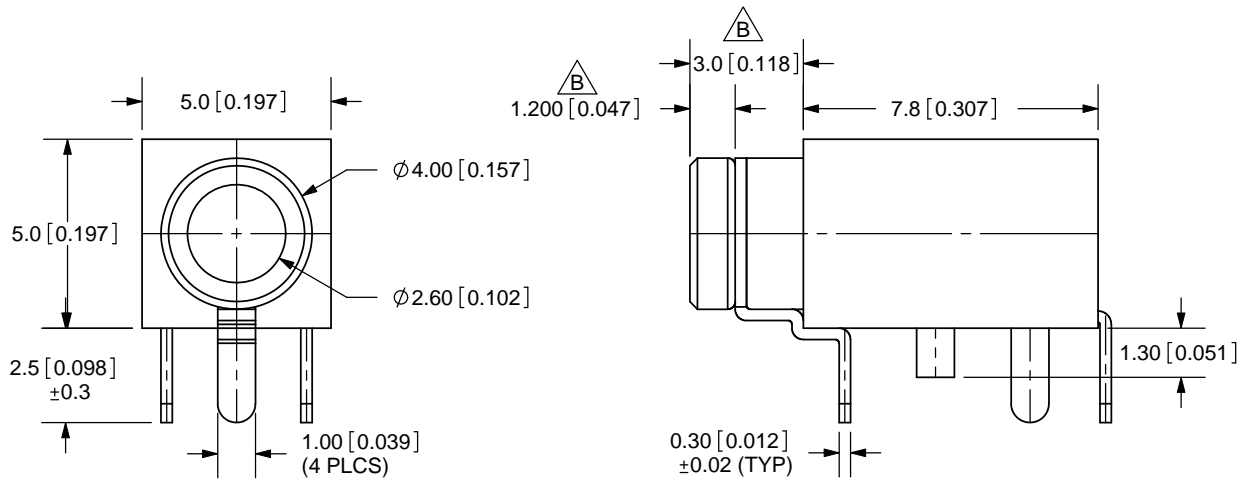
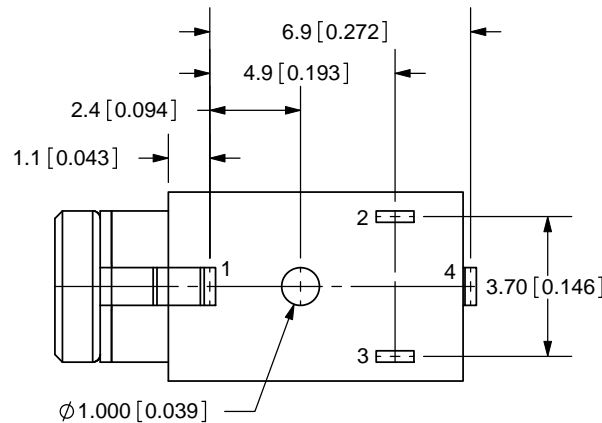


REV.	DESCRIPTION	DATE
A	NEW DRAWING	10/27/2005
B	added dimensions	11/4/2010



PCB LAYOUT
TOP VIEW



TOLERANCE:
X.X ±0.2mm
X.XX ±0.1mm
X.XXX ±0.05mm



MODEL NO.	SJ1-2503A
SCHMATIC	

SPECIFICATIONS:
 CONTACT RESISTANCE: 100m OHMS MAX
 INSULATION RESISTANCE: 100M OHMS MIN: 500V DC
 VOLTAGE WITHSTAND: 500V AC R.M.S. FOR 1 MINUTE
 LIFE: 5,000 CYCLES

	MATERIAL	PLATING
TERMINAL 1	Brass	Tin
TERMINAL 2	Copper Alloy	Tin
TERMINAL 3	Copper Alloy	Tin
TERMINAL 4	Copper Alloy	Tin
BUSHING	Brass	Nickel
HOUSING	PBT	



CUI INC

20050 SW 112th Ave.
 Tualatin, OR 97062
 Phone: 503-612-2300
 800-275-4899
 Fax: 503-612-2383
 Website: www.cui.com

TITLE: 2.5mm STEREO JACK	REV: B
PART NO. SJ1-2503A	UNITS: MM [INCHES]
DRAWN BY: ZRJ	APPROVED BY:
	SCALE: 4:1